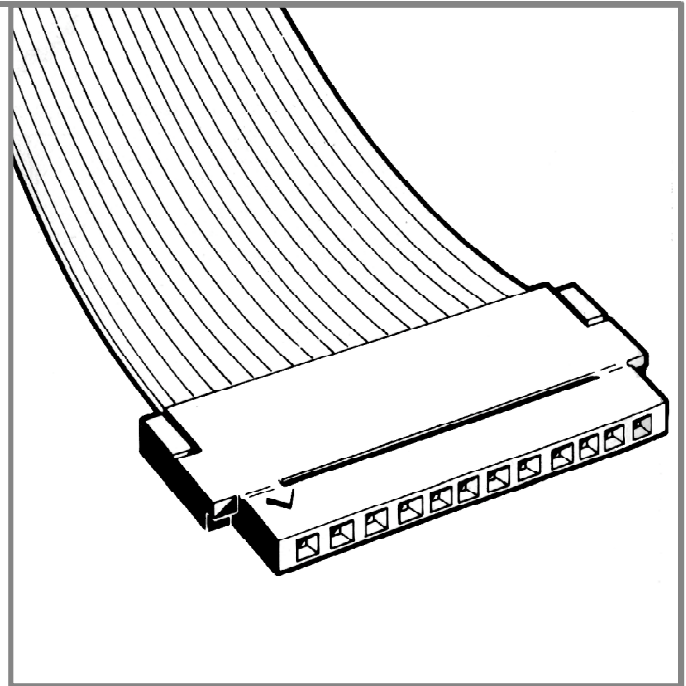


# FEMALE CLINCHER CONNECTORS

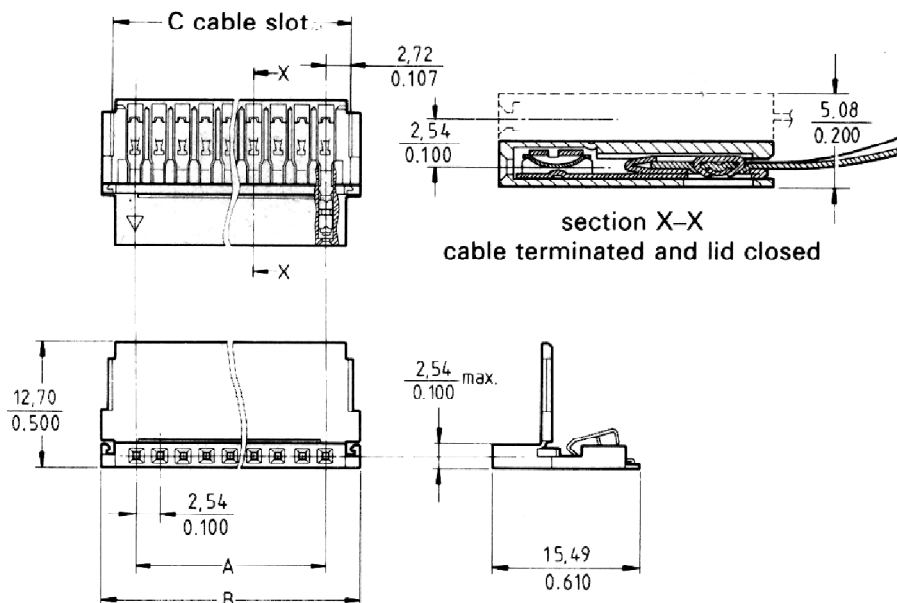
## Features

- Mates with 0.64mm square or round pins (i.e. Molex strip pins) on 2.54mm centres.
- Dual metal PV contacts ensure excellent electrical and mechanical contact.
- The clincher portion of the contact forms a gastight crimp to prevent contamination of contacts.



## Technical Data

Insulation Resistance	50000 M $\Omega$ minimum
Temperature Range	-65°C to +105° C
Material	Beryllium Copper with Tin/Lead contacts.
Current Rating	2 A max
Resistance	15 m $\Omega$ max.



Dimensions  $\frac{\text{mm}}{\text{inches}}$